

ISO K Line Serial Link Interface

The 33290 is a serial link bus interface device designed to provide bi-directional half-duplex communication interfacing in automotive diagnostic applications. It is designed to interface between the vehicle's on-board microcontroller and systems off-board the vehicle via the special ISO K line. The 33290 is designed to meet the Diagnostic Systems ISO9141 specification. The device's K line bus driver's output is fully protected against bus shorts and overtemperature conditions.

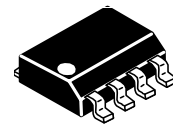
The 33290 derives its robustness to temperature and voltage extremes by being built on a SMARTMOS process, incorporating CMOS logic, bipolar/MOS analog circuitry, and DMOS power FETs. Although the 33290 was principally designed for automotive applications, it is suited for other serial communication applications. It is parametrically specified over an ambient temperature range of $-40^{\circ}\text{C} \leq T_A \leq 125^{\circ}\text{C}$ and $8.0\text{ V} \leq V_{\text{BB}} \leq 18\text{ V}$ supply. The economical SO-8 surface-mount plastic package makes the 33290 very cost effective.

Features

- Designed to Operate Over Wide Supply Voltage of 8.0 to 18 V
- Ambient Operating Temperature of -40 to 125°C
- Interfaces Directly to Standard CMOS Microprocessors
- ISO K Line Pin Protected Against Shorts to Ground
- Thermal Shutdown with Hysteresis
- ISO K Line Pin Capable of High Currents
- ISO K Line Can Be Driven with up to 10 nF of Parasitic Capacitance
- 8.0 kV ESD Protection Attainable with Few Additional Components
- Standby Mode: No V_{Bat} Current Drain with V_{DD} at 5.0 V
- Low Current Drain During Operation with V_{DD} at 5.0 V

33290

ISO K LINE SERIAL LINK INTERFACE

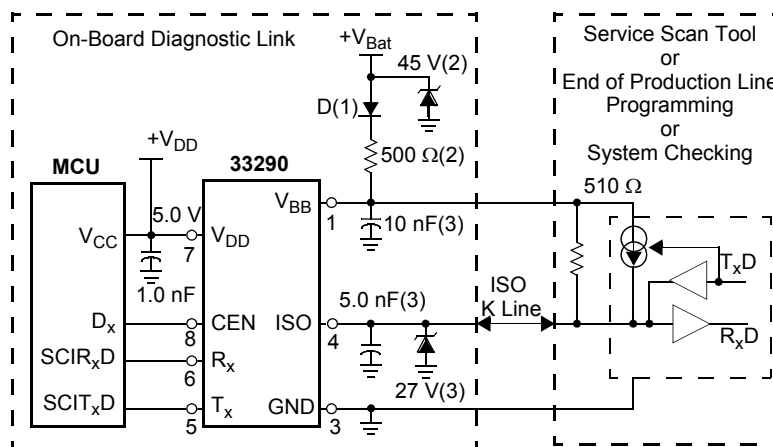


D SUFFIX
PLASTIC PACKAGE
CASE 751
(8-SOICN)

ORDERING INFORMATION

| Device | Temperature Range (T_A) | Package |
|--------------|--------------------------------|---------|
| MC33290D/DR2 | -40 to 125°C | 8-SOICN |

33290 Simplified Application Diagram



Components necessary for Reverse Battery (1), Overvoltage Transient (2), and 8.0 kV ESD Protection (3) in a metal module case. This device contains 85 active transistors.

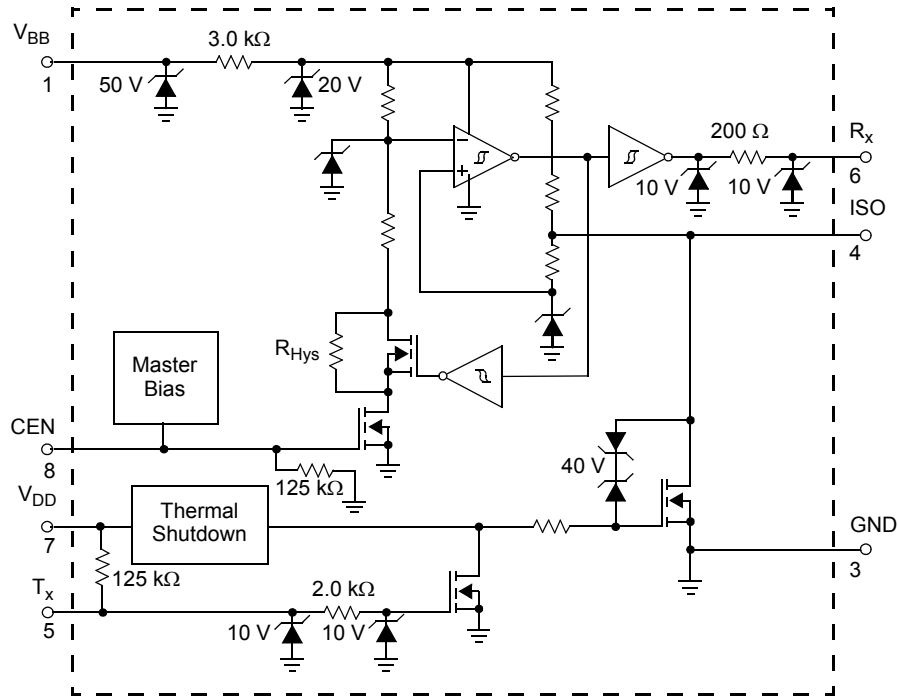
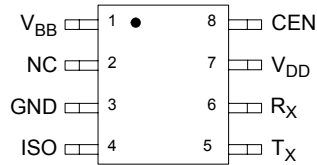


Figure 1. 33290 Simplified Block Diagram



PIN FUNCTION DESCRIPTION

| Pin | Pin Name | Description |
|-----|-----------------|---|
| 1 | V _{BB} | Battery power through external resistor and diode. |
| 2 | NC | Not to be connected. (Note 1) |
| 3 | GND | Common signal and power return. |
| 4 | ISO | Bus connection. |
| 5 | T _X | Logic level input for data to be transmitted on the bus. |
| 6 | R _X | Logic output of data received on the bus. |
| 7 | V _{DD} | Logic power source input. |
| 8 | CEN | Chip enable. Logic "1" for active state. Logic "0" for sleep state. |

Notes

1. NC pins should not have any connections made to them. NC pins are not guaranteed to be open circuits.

MAXIMUM RATINGS

All voltages are with respect to ground unless otherwise noted.

| Rating | Symbol | Value | Unit |
|---|--|---------------|------|
| V _{DD} DC Supply Voltage | V _{DD} | -0.3 to 7.0 | V |
| V _{BB} Load Dump Peak Voltage | V _{BB(LD)} | 45 | V |
| ISO Pin Load Dump Peak Voltage (Note 2) | V _{ISO} | 40 | V |
| ISO Short Circuit Current Limit | I _{ISO(LIM)} | 1.0 | A |
| ESD Voltage (Note 3) Human Body Model (Note 4) Machine Model (Note 5) | V _{ESD1} V _{ESD2} | ±2000 ±200 | V |
| ISO Clamp Energy (Note 6) | E _{clamp} | 10 | mJ |
| Storage Temperature | T _{stg} | -55 to +150 | °C |
| Operating Case Temperature | T _C | -40 to +125 | °C |
| Operating Junction Temperature | T _J | -40 to +150 | °C |
| Power Dissipation T _A = 25°C | P _D | 0.8 | W |
| Lead Soldering Temperature (Note 7) | T _{solder} | 260 | °C |
| Thermal Resistance Junction-to-Ambient | R _{θJA} | 150 | °C/W |

Notes

- Device will survive double battery jump start conditions in typical applications for 10 minutes duration, but is not guaranteed to remain within specified parametric limits during this duration.
- ESD data available upon request.
- ESD1 testing is performed in accordance with the Human Body Model (C_{ZAP} = 100 pF, R_{ZAP} = 1500 Ω).
- ESD2 testing is performed in accordance with the Machine Model (C_{ZAP} = 200 pF, R_{ZAP} = 0 Ω).
- Nonrepetitive clamping capability at 25°C.
- Lead soldering temperature limit is for 10 seconds maximum duration. Contact the Motorola Sales Office for device immersion soldering time/temperature limits.

STATIC ELECTRICAL CHARACTERISTICSCharacteristics noted under conditions of $4.75\text{ V} \leq V_{DD} \leq 5.25\text{ V}$, $8.0\text{ V} \leq V_{BB} \leq 18\text{ V}$, $-40^\circ\text{C} \leq T_C \leq 125^\circ\text{C}$, unless otherwise noted.

| Characteristic | Symbol | Min | Typ | Max | Unit |
|--|--------------------------------|---------------------|--------|---------------------|------------------|
| POWER AND CONTROL | | | | | |
| V_{DD} Sleep State Current $T_X = 0.8 V_{DD}$, $CEN = 0.3 V_{DD}$ | $I_{DD(SS)}$ | – | – | 0.1 | mA |
| V_{DD} Quiescent Operating Current $T_X = 0.2 V_{DD}$, $CEN = 0.7 V_{DD}$ | $I_{DD(Q)}$ | – | – | 1.0 | mA |
| V_{BB} Sleep State Current $V_{BB} = 16\text{ V}$, $T_X = 0.8 V_{DD}$, $CEN = 0.3 V_{DD}$ | $I_{BB(SS)}$ | – | – | 50 | μA |
| V_{BB} Quiescent Operating Current $T_X = 0.2 V_{DD}$, $CEN = 0.7 V_{DD}$ | $I_{BB(Q)}$ | – | – | 1.0 | mA |
| Chip Enable Input High-Voltage Threshold (Note 8) Input Low-Voltage Threshold (Note 9) | $V_{IH(CEN)}$ $V_{IL(CEN)}$ | $0.7 V_{DD}$ – | – – | – $0.3 V_{DD}$ | V |
| Chip Enable Pull-Down Current (Note 10) | $I_{PD(CEN)}$ | 2.0 | – | 40 | μA |
| T_X Input Low-Voltage Threshold $R_{ISO} = 510\ \Omega$ (Note 11) | $V_{IL(TX)}$ | – | – | $0.3 \times V_{DD}$ | V |
| T_X Input High-Voltage Threshold $R_{ISO} = 510\ \Omega$ (Note 12) | $V_{IH(TX)}$ | $0.7 \times V_{DD}$ | – | – | V |
| T_X Pull-Up Current (Note 13) | $I_{PU(TX)}$ | -40 | – | -2.0 | μA |
| R_X Output Low-Voltage Threshold $R_{ISO} = 510\ \Omega$, $T_X = 0.2 V_{DD}$, R_X Sinking 1.0 mA | $V_{OL(RX)}$ | – | – | $0.2 V_{DD}$ | V |
| R_X Output High-Voltage Threshold $R_{ISO} = 510\ \Omega$, $T_X = 0.8 V_{DD}$, R_X Sourcing 250 μA | $V_{OH(RX)}$ | $0.8 V_{DD}$ | – | – | V |
| Thermal Shutdown (Note 14) | T_{LIM} | 150 | 170 | – | $^\circ\text{C}$ |

Notes

8. When IBB transitions to $>100\ \mu\text{A}$.
9. When IBB transitions to $<100\ \mu\text{A}$.
10. Enable pin has an internal current pull-down. Pull-down current is measured with CEN pin at $0.3 V_{DD}$.
11. Measured by ramping T_X down from $0.7 V_{DD}$ and noting T_X value at which ISO falls below $0.2 V_{BB}$.
12. Measured by ramping T_X up from $0.3 V_{DD}$ and noting the value at which ISO rises above $0.9 V_{BB}$.
13. T_X pin has internal current pull-up. Pull-up current is measured with T_X pin at $0.7 V_{DD}$.
14. Thermal Shutdown performance (T_{LIM}) is guaranteed by design but not production tested.

STATIC ELECTRICAL CHARACTERISTICS (continued)Characteristics noted under conditions of $4.75\text{ V} \leq V_{DD} \leq 5.25\text{ V}$, $8.0\text{ V} \leq V_{BB} \leq 18\text{ V}$, $-40^\circ\text{C} \leq T_C \leq 125^\circ\text{C}$, unless otherwise noted.

| Characteristic | Symbol | Min | Typ | Max | Unit |
|--|----------------|----------------------|-----|---------------------|---------------|
| ISO I/O | | | | | |
| Input Low Voltage Threshold $R_{ISO} = 0\ \Omega$, $T_X = 0.8\ V_{DD}$ (Note 15) | $V_{IL(ISO)}$ | – | – | $0.4 \times V_{BB}$ | V |
| Input High Voltage Threshold $R_{ISO} = 0\ \Omega$, $T_X = 0.8\ V_{DD}$ (Note 16) | $V_{IH(ISO)}$ | $0.7 \times V_{BB}$ | – | – | V |
| Input Hysteresis (Note 17) | $V_{Hys(ISO)}$ | $0.05 \times V_{BB}$ | – | $0.1 \times V_{BB}$ | V |
| Internal Pull-Up Current $R_{ISO} = \infty\ \Omega$, $T_X = 0.8\ V_{DD}$, $V_{ISO} = 9.0\text{ V}$, $V_{BB} = 18\text{ V}$ | $I_{PU(ISO)}$ | -5.0 | – | -140 | μA |
| Short Circuit Current Limit (Note 18) $R_{ISO} = 0\ \Omega$, $T_X = 0.4\ V_{DD}$, $V_{ISO} = V_{BB}$ | $I_{SC(ISO)}$ | 50 | – | 1000 | mA |
| Output Low Voltage $R_{ISO} = 510\ \Omega$, $T_X = 0.2\ V_{DD}$ | $V_{OL(ISO)}$ | – | – | $0.1 \times V_{BB}$ | V |
| Output High Voltage $R_{ISO} = \infty\ \Omega$, $T_X = 0.8\ V_{DD}$ | $V_{OH(ISO)}$ | $0.95 \times V_{BB}$ | – | – | V |

Notes

15. ISO ramped from $0.8\ V_{BB}$ to $0.4\ V_{BB}$, Monitor R_X , Value of ISO voltage at which R_X transitions to $0.3\ V_{DD}$.
16. ISO ramped from $0.4\ V_{BB}$ to $0.8\ V_{BB}$, Monitor R_X , Value of ISO voltage at which R_X transitions to $0.7\ V_{DD}$.
17. Input Hysteresis, $V_{Hys(ISO)} = V_{IH(ISO)} - V_{IL(ISO)}$.
18. ISO has internal current limiting.

DYNAMIC ELECTRICAL CHARACTERISTICSCharacteristics noted under conditions of $4.75\text{ V} \leq V_{DD} \leq 5.25\text{ V}$, $8.0\text{ V} \leq V_{BB} \leq 18\text{ V}$, $-40^\circ\text{C} \leq T_C \leq 125^\circ\text{C}$, unless otherwise noted.

| Characteristic | Symbol | Min | Typ | Max | Unit |
|---|-----------------|-----|-----|-----|---------------|
| Fall Time (Note 19) $R_{ISO} = 510\ \Omega$ to V_{BB} , $C_{ISO} = 10\text{ nF}$ to Ground | $t_{fall(ISO)}$ | – | – | 2.0 | μs |
| ISO Propagation Delay (Note 20) High to Low: $R_{ISO} = 510\ \Omega$, $C_{ISO} = 500\text{ pF}$ (Note 21) Low to High: $R_{ISO} = 510\ \Omega$, $C_{ISO} = 500\text{ pF}$ (Note 22) | $t_{PD(ISO)}$ | – | – | 2.0 | μs |

Notes

19. Time required ISO voltage to transition from $0.8\ V_{BB}$ to $0.2\ V_{BB}$.
20. Changes in the value of C_{ISO} affect the rise and fall time but have minimal effect on Propagation Delay.
21. Step T_X voltage from $0.2\ V_{DD}$ to $0.8\ V_{DD}$. Time measured from $V_{IH(ISO)}$ until V_{ISO} reaches $0.3\ V_{BB}$.
22. Step T_X voltage from $0.8\ V_{DD}$ to $0.2\ V_{DD}$. Time measured from $V_{IL(ISO)}$ until V_{ISO} reaches $0.7\ V_{BB}$.

Electrical Performance Curves

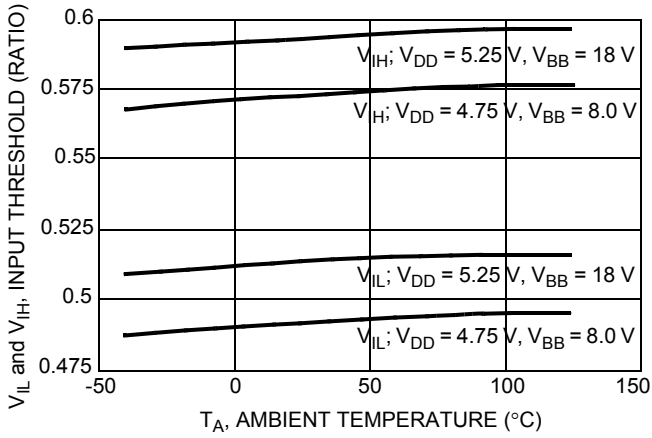


Figure 2. ISO Input Threshold/ V_{BB} vs. Temperature

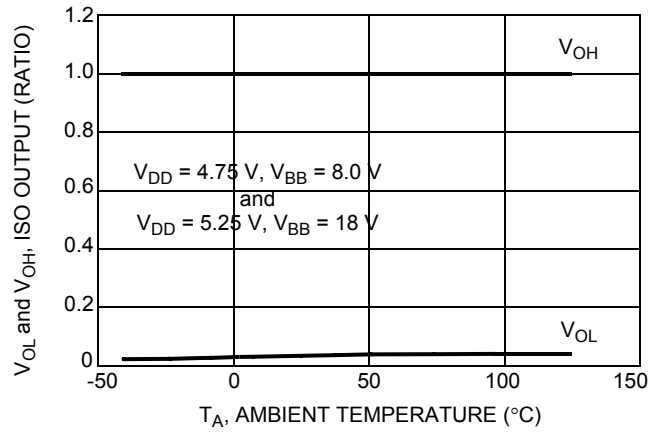


Figure 4. ISO Fall Time vs. Temperature

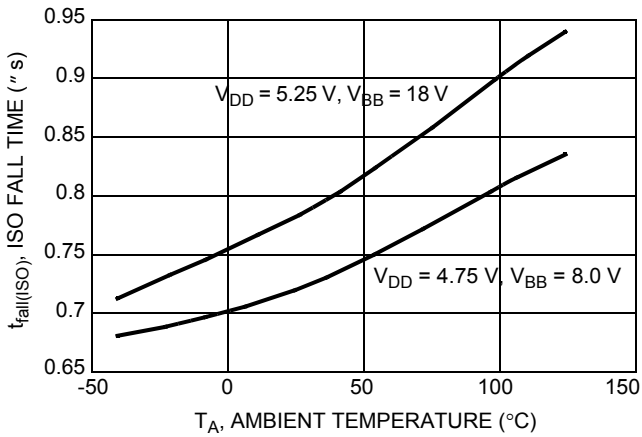


Figure 3. ISO Output/ V_{BB} vs. Temperature

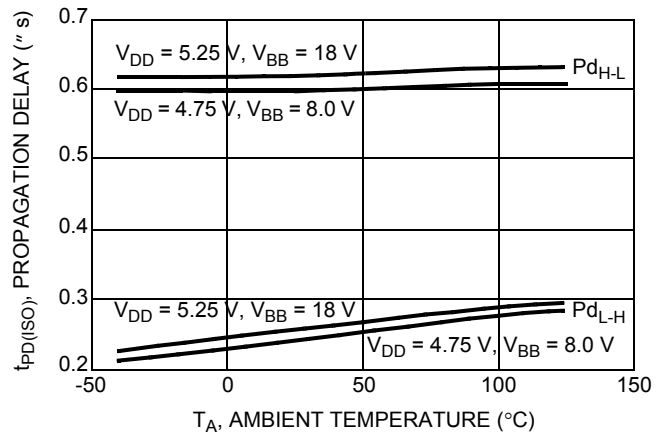


Figure 5. ISO Propagation Delay vs. Temperature

APPLICATIONS INFORMATION

INTRODUCTION

The 33290 is a serial link bus interface device conforming to the ISO 9141 physical bus specification. The device was designed for automotive environment usage compliant with On-Board Diagnostic (OBD) requirements set forth by the California Air Resources Board (CARB) using the ISO K line. The device does not incorporate an ISO L line. It provides bi-directional

half-duplex communications interfacing from a microcontroller to the communication bus. The 33290 incorporates circuitry to interface the digital translations from 5.0 V microcontroller logic levels to battery level logic and from battery level logic to 5.0 V logic levels. The 33290 is built using Motorola's SMARTMOS process and is packaged in an 8-pin plastic SOIC.

FUNCTIONAL DESCRIPTION

The 33290 transforms 5.0 V microcontroller logic signals to battery level logic signals and visa versa. The maximum data rate is set by the fall time and the rise time. The fall time is set by the output driver. The rise time is set by the bus capacitance and the pull-up resistors on the bus. The fall time of the 33290 allows data rates up to 150 kbps using a 30 percent maximum bit time transition value. The serial link interface will remain fully functional over a battery voltage range of 6.0 to 18 V. The device is parametrically specified over a dynamic V_{BB} voltage range of 8.0 to 18 V.

Required input levels from the microcontroller are ratio-metric with the V_{DD} voltage normally used to power the microcontroller. This enhances the 33290's ability to remain in harmony with the R_x and T_x control input signals of the microcontroller. The R_x and T_x control inputs are compatible with standard 5.0 V CMOS circuitry. For fault-tolerant purposes the T_x input from the microcontroller has an internal passive

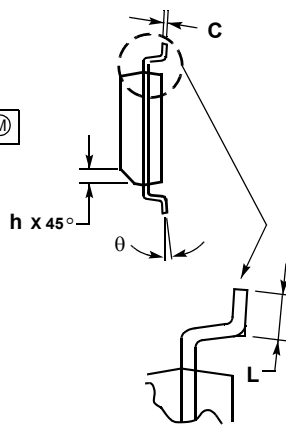
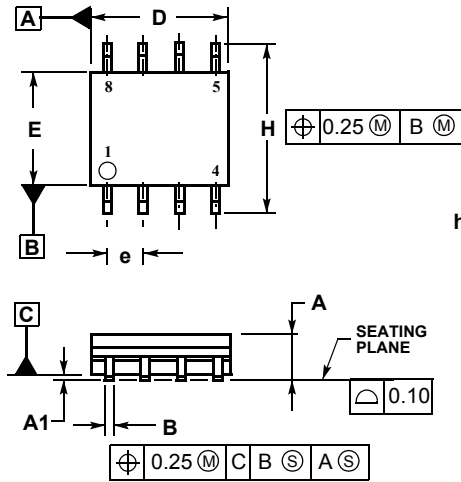
pull-up to V_{DD} , while the CEN input has an internal passive pull-down to ground.

A pull-up to battery is internally provided as well as an active data pull-down. The internal active pull-down is current-limit-protected against shorts to battery and further protected by thermal shutdown. Typical applications have reverse battery protection by the incorporation of an external 510 Ω pull-up resistor and diode to battery.

Reverse battery protection of the device is provided by using a reverse battery blocking diode ("D" in the Simplified Application Diagram on page 1). Battery line transient protection of the device is provided for by using a 45 V zener and a 500 Ω resistor connected to the V_{BB} source as shown in the same diagram. Device ESD protection from the communication lines exiting the module is through the use of the capacitor connected to the V_{BB} device pin and the capacitor used in conjunction with the 27 V zener connected to the ISO pin.

PACKAGE DIMENSIONS

D SUFFIX
(8-LEAD SOIC)
PLASTIC PACKAGE
CASE 751-06
ISSUE T



NOTES:

1. DIMENSIONING AND TOLERANCING PER ASME Y14.5M, 1994.
2. DIMENSIONS ARE IN MILLIMETER.
3. DIMENSION D AND E DO NOT INCLUDE MOLD PROTRUSION.
4. MAXIMUM MOLD PROTRUSION 0.15 PER SIDE.
5. DIMENSION B DOES NOT INCLUDE DAMBAR PROTRUSION. ALLOWABLE DAMBAR PROTRUSION SHALL BE 0.127 TOTAL IN EXCESS OF THE B DIMENSION AT MAXIMUM MATERIAL CONDITION.

| DIM | MILLIMETERS | |
|----------|-------------|------|
| | MIN | MAX |
| A | 1.35 | 1.75 |
| A1 | 0.10 | 0.25 |
| B | 0.35 | 0.49 |
| C | 0.19 | 0.25 |
| D | 4.80 | 5.00 |
| E | 3.80 | 4.00 |
| e | 1.27 BSC | |
| H | 5.80 | 6.20 |
| h | 0.25 | 0.50 |
| L | 0.40 | 1.25 |
| θ | 0° | 7° |

NOTES

Information in this document is provided solely to enable system and software implementers to use Motorola products. There are no express or implied copyright licenses granted hereunder to design or fabricate any integrated circuits or integrated circuits based on the information in this document.

Motorola reserves the right to make changes without further notice to any products herein. Motorola makes no warranty, representation or guarantee regarding the suitability of its products for any particular purpose, nor does Motorola assume any liability arising out of the application or use of any product or circuit, and specifically disclaims any and all liability, including without limitation consequential or incidental damages. "Typical" parameters which may be provided in Motorola data sheets and/or specifications can and do vary in different applications and actual performance may vary over time. All operating parameters, including "Typicals" must be validated for each customer application by customer's technical experts. Motorola does not convey any license under its patent rights nor the rights of others. Motorola products are not designed, intended, or authorized for use as components in systems intended for surgical implant into the body, or other applications intended to support or sustain life, or for any other application in which the failure of the Motorola product could create a situation where personal injury or death may occur. Should Buyer purchase or use Motorola products for any such unintended or unauthorized application, Buyer shall indemnify and hold Motorola and its officers, employees, subsidiaries, affiliates, and distributors harmless against all claims, costs, damages, and expenses, and reasonable attorney fees arising out of, directly or indirectly, any claim of personal injury or death associated with such unintended or unauthorized use, even if such claim alleges that Motorola was negligent regarding the design or manufacture of the part.

MOTOROLA and the Stylized M Logo are registered in the US Patent and Trademark Office. All other product or service names are the property of their respective owners.

© Motorola, Inc. 2003

HOW TO REACH US:

USA/EUROPE/LOCATIONS NOT LISTED:

Motorola Literature Distribution
P.O. Box 5405, Denver, Colorado 80217
1-800-521-6274 or 480-768-2130

JAPAN: Motorola Japan Ltd.; SPS, Technical Information Center
3-20-1 Minami-Azabu, Minato-ku, Tokyo 106-8573, Japan
81-3-3440-3569

ASIA/PACIFIC: Motorola Semiconductors H.K. Ltd.; Silicon Harbour Centre
2 Dai King Street, Tai Po Industrial Estate, Tai Po, N.T., Hong Kong
852-26668334

HOME PAGE: <http://motorola.com/semiconductors>



MOTOROLA

SUNSTAR 商斯达实业集团是集研发、生产、工程、销售、代理经销、技术咨询、信息服务等为一体的高科技企业，是专业高科技电子产品生产厂家，是具有 10 多年历史的专业电子元器件供应商，是中国最早和最大的仓储式连锁规模经营大型综合电子零部件代理分销商之一，是一家专业代理和分销世界各大品牌 IC 芯片和电子元器件的连锁经营综合性国际公司，专业经营进口、国产名厂名牌电子元件，型号、种类齐全。在香港、北京、深圳、上海、西安、成都等全国主要电子市场设有直属分公司和产品展示展销窗口门市部专卖店及代理分销商，已在全国范围内建成强大统一的供货和代理分销网络。我们专业代理经销、开发生产电子元器件、集成电路、传感器、微波光电元器件、工控机/DOC/DOM 电子盘、专用电路、单片机开发、MCU/DSP/ARM/FPGA 软件硬件、二极管、三极管、模块等，是您可靠的一站式现货配套供应商、方案提供商、部件功能模块开发配套商。商斯达实业公司拥有庞大的资料库，有数位毕业于著名高校——有中国电子工业摇篮之称的西安电子科技大学（西军电）并长期从事国防尖端科技研究的高级工程师为您精挑细选、量身订做各种高科技电子元器件，并解决各种技术问题。

更多产品请看本公司产品专用销售网站：

商斯达中国传感器科技信息网：<http://www.sensor-ic.com/>

商斯达工控安防网：<http://www.pc-ps.net/>

商斯达电子元器件网：<http://www.sunstare.com/>

商斯达微波光电产品网：[HTTP://www.rfoe.net/](http://www.rfoe.net/)

商斯达消费电子产品网：<http://www.icasic.com/>

商斯达实业科技产品网：<http://www.sunstars.cn/>

传感器销售热线：

地址：深圳市福田区福华路福庆街鸿图大厦 1602 室

电话：0755-83370250 83376489 83376549 83607652 83370251 82500323

传真：0755-83376182 (0) 13902971329 MSN: SUNS8888@hotmail.com

邮编：518033 E-mail:szss20@163.com QQ: 195847376

深圳赛格展销部：深圳华强北路赛格电子市场 2583 号 电话：0755-83665529 25059422

技术支持：0755-83394033 13501568376

欢迎索取免费详细资料、设计指南和光盘；产品凡多，未能尽录，欢迎来电查询。

北京分公司：北京海淀区知春路 132 号中发电子大厦 3097 号

TEL: 010-81159046 82615020 13501189838 FAX: 010-62543996

上海分公司：上海市北京东路 668 号上海赛格电子市场 2B35 号

TEL: 021-28311762 56703037 13701955389 FAX: 021-56703037

西安分公司：西安高新开发区 20 所(中国电子科技集团导航技术研究所)

西安劳动南路 88 号电子商城二楼 D23 号

TEL: 029-81022619 13072977981 FAX:029-88789382